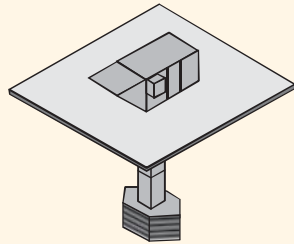


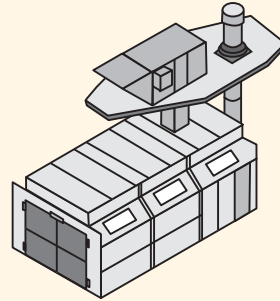
Installation Options

BANANZA® B-Series air handlers with SPRAY-CURE™ technology are available in flexible configurations, helping allow for mating to various finishing facilities or paint booths. Units can be mounted indoors or outdoors (building rooftop or side wall locations) and can be used with down draft, semi-down draft and cross draft spray booths. These units can be ideal for retrofit and replacement of old or inefficient units. Paint prep stations can also utilize direct-fired make-up air.

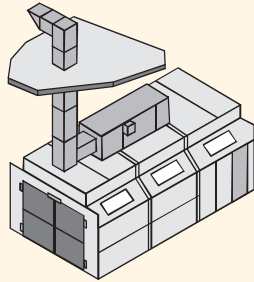
Roof Mounted, Horizontal, Bottom Discharge



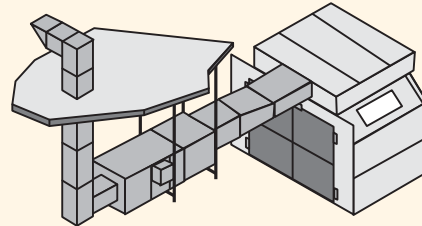
Roof Mounted, Horizontal, Bottom Discharge



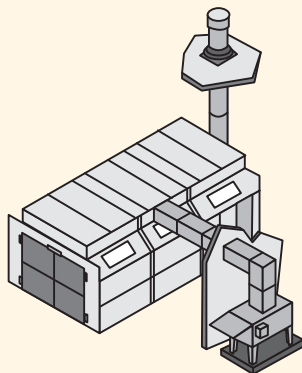
Booth Mounted, Horizontal, Bottom Discharge



Ceiling Suspended, Horizontal, End Discharge



Pad Mounted, Horizontal, Top Discharge



Pad Mounted, Upright, Side Discharge

